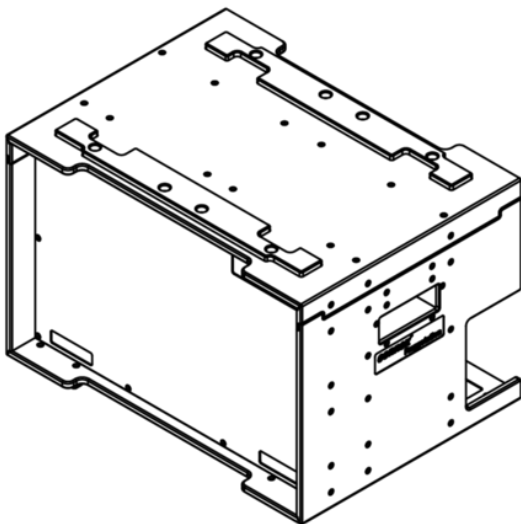
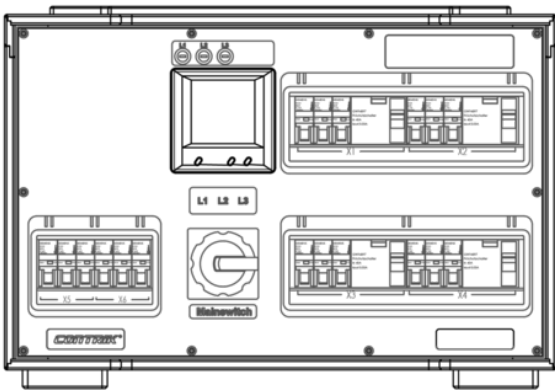
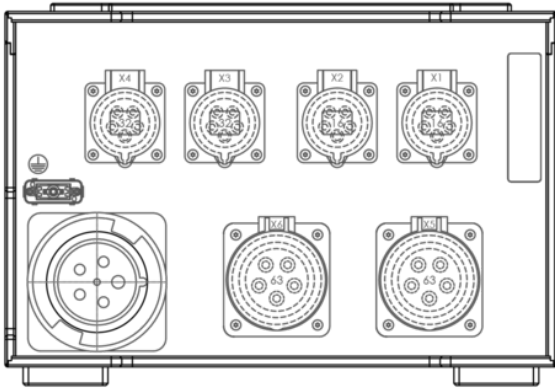


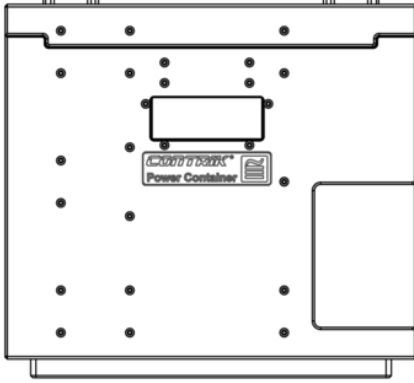
POWER CONTAINER XTREME CPCL125-C1- C6-RBM

On request modification.

IN: 1x CEE125A, OUT: 2 x CEE63A, 2 x CEE32A, 2 x CEE16A.

Power Container is a highly reliable, rugged and first level powerful distribution solution.





Features & Benefits

- **High durability & protection:** rugged Easylen® housing with high IK, IP44 with CEE / cPot in mated condition, self-closing caps, connector protection, flame retardant & non-conductive housing material.
- **Easy transport & handling:** compact, stackable, fully lockable, integrated handles.
- **High quality assembly** in EU
- **Universal CEE solution** offering a wide range of CEE outputs with various current ratings.
- **High quality electrical and electronic component** from the renowned brands.

Markets & Applications

- Markets: Professional audio esp. amp rack wiring / lighting / video wall
- Mobile applications: Festivals, live events. Control panels / rooms.
- Semi-permanent applications: Theaters, studios, fairs. Control panels /rooms.

Ordering Information

Article name	Details	Order code
CPCL125-C1-C6-RBM	Front: 18x MCB (1-pole), 4x RCCB (3-pole + N), Back: IN: 1x CEE125A 5P, OUT: 2x CEE63A 5P, 2x CEE32A 5P, 2x CEE16A 5P	1038606

Technical Information

Product	
Input device	1x CEE125A 5P
Output device	2x CEE63A 5P (6x MCB 1P) 2x CEE32A 5P (6x MCB 1P, 2x RCCB 40A 3P+N) 2x CEE16A 5P (6x MCB 1P, 2x RCCB 40A 3P+N) 1x cPot
Main switch	1x main switch 4-pin
Power meter	Selec MFM 384

Electrical	
Phase control indicator	L1, L2, L3, green
Rated voltage	400V
Rated Current	125A

Mechanical	
Weight	
Type of construction	Stackable

Material	
Housing	Easylen®
Color	Black

Environmental	
Protection class	IP44 with CEE and cPot in mated condition
Temperature range	-5 to +40°C

