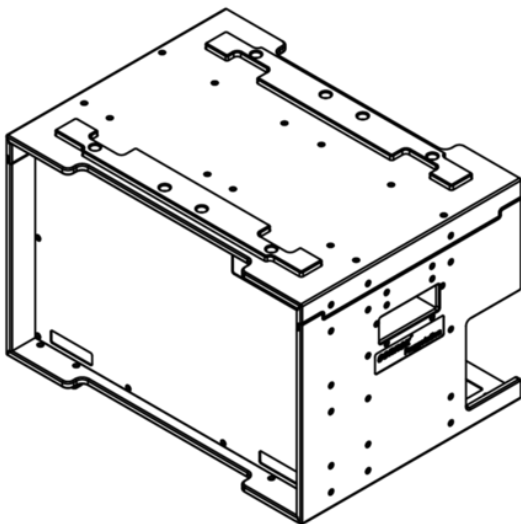
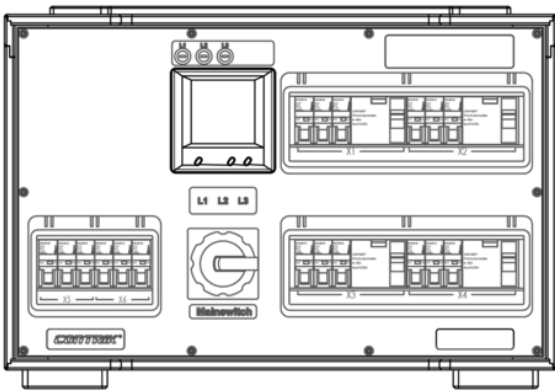
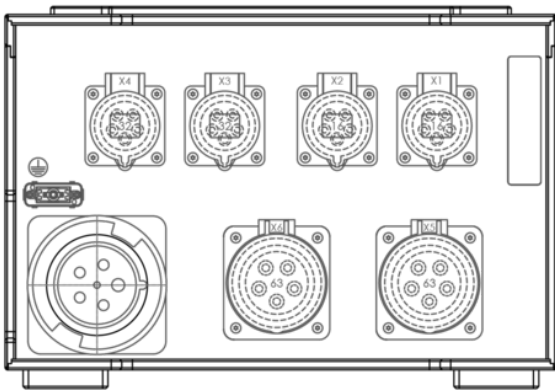


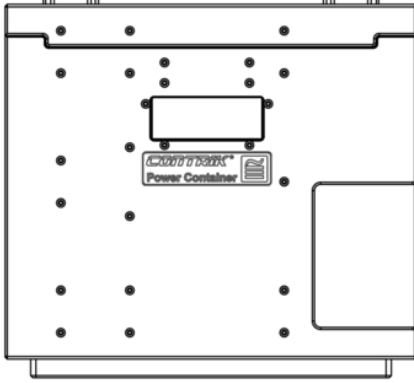
# POWER CONTAINER XTREME CPRX125-C1- C6-RBM

On request modification.

IN: 1x CEE125A, OUT: 2 x CEE63A, 2 x CEE32A, 2 x CEE16A.

Power Container is a highly reliable, rugged and first level powerful distribution solution.





## Features & Benefits

- **High durability & protection:** rugged Easylen® housing with high IK, IP44 with CEE / cPot in mated condition, self-closing caps, connector protection, flame retardant & non-conductive housing material.
- **Easy transport & handling:** compact, stackable, fully lockable, integrated handles.
- **High quality assembly** in EU
- **Universal CEE solution** offering a wide range of CEE outputs with various current ratings.
- **High quality electrical and electronic component** from the renowned brands.

## Markets & Applications

- Markets: Professional audio esp. amp rack wiring / lighting / video wall
- Mobile applications: Festivals, live events. Control panels / rooms.
- Semi-permanent applications: Theaters, studios, fairs. Control panels /rooms.

## Ordering Information

Article name	Details	Order code
CPCL125-C1-C6-RBM	Front: 18x MCB (1-pole), 4x RCCB (3-pole + N), Back: IN: 1x CEE125A 5P, OUT: 2x CEE63A 5P, 2x CEE32A 5P, 2x CEE16A 5P	1038606

## Technical Information

Product	
<b>Input device</b>	1x CEE125A 5P
<b>Output device</b>	2x CEE63A 5P (6x MCB 1P) 2x CEE32A 5P (6x MCB 1P, 2x RCCB 40A 3P+N) 2x CEE16A 5P (6x MCB 1P, 2x RCCB 40A 3P+N) 1x cPot
<b>Main switch</b>	1x main switch 4-pin
<b>Power meter</b>	Selec MFM 384

Electrical	
<b>Phase control indicator</b>	L1, L2, L3, green
<b>Rated voltage</b>	400V
<b>Rated Current</b>	125A

Mechanical	
<b>Weight</b>	
<b>Type of construction</b>	Stackable

Material	
<b>Housing</b>	Easylen®
<b>Color</b>	Black

Environmental	
<b>Protection class</b>	IP44 with CEE and cPot in mated condition
<b>Temperature range</b>	-5 to +40°C

