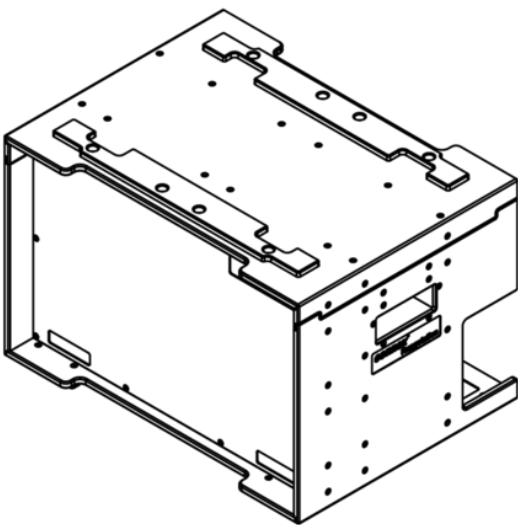
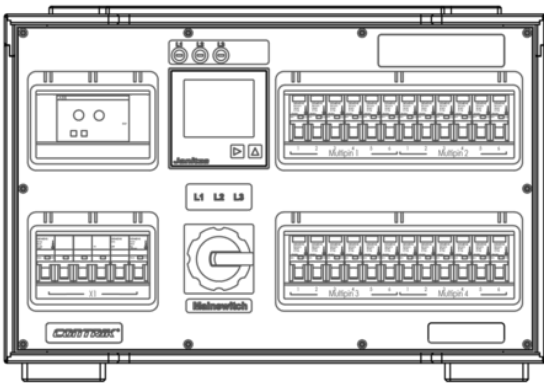
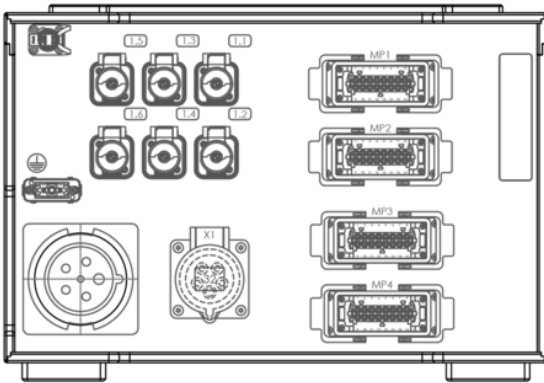


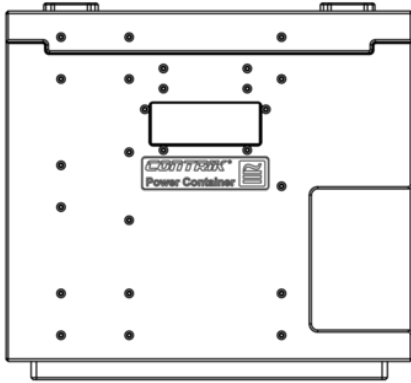
POWER CONTAINER XTREME CPRX63-C1- H4C1T6-ROM

On request modification.

IN: 1x CEE63A, OUT: 4x Harting E16, 1x CEE32A, 6x
powerCON TRUE1 TOP.

Power Container is a highly reliable, rugged and first
level powerful distribution solution.





Features & Benefits

- **High durability & protection:** rugged Easylen® housing with high IK, IP44 with CEE / cPot in mated condition, self-closing caps, connector protection, flame retardant & non-conductive housing material
- **Easy transport & handling:** compact, stackable, fully lockable, integrated handles
- **Remote data acquisition** via Ethernet and wide range of monitoring and power quality features
- **Adjustable residual current and trip time delay**
- **Reduction of cabling volume and effort** due to 4x Harting E16 Multipin Outs
- **Minimization of failure impact on the event.** Due to separate protection of each Out channel against overload
- **Neutral conductor current measurement**

Markets & Applications

- Markets: Professional audio esp. amp rack wiring / lighting / video wall
- Mobile applications: Festivals, live events. Control panels / rooms.
- Semi-permanent applications: Theaters, studios, fairs. Control panels /rooms.

Ordering Information

Article name	Details	Order code
CPCL63-C1-H4C1T6-ROM	Front: 24x RCBO (1-pole+N), 1x adjustable residual current monitoring ABB RD3P with fuse protection, 1x measuring device Janitza UMG96RM-E with Ethernet interface, 1x main switch, Back: IN: 1x CEE63A 5P, OUT: 4 x Harting E16, 1x CEE32A 5P, 6 x powerCON TRUE1 TOP	1038607

Technical Information

Product	
Input device	IN: 1x CEE63A 5P
Output device	4x Harting E16 6ch [1-9] (24x RCBO (1-pole+N)) 1x CEE32A 5P (1x MCB C32 3-pole+N with adjustable residual current monitoring ABB RD3P with fuse protection) 6x powerCON TRUE1 TOP (parallel to Harting 1) 1x Neutrik EtherCON 1x cPot
Main switch	1x main switch 4-pin
Power meter	Janitza UMG96RM-E

Electrical	
Phase control indicator	L1, L2, L3, green
Rated voltage	400V
Rated Current	63A

Mechanical	
Weight	
Type of construction	Stackable

Material	
Housing	Easylen®
Color	Black

Environmental

Protection class	IP44 with CEE and cPot in mated condition
Temperature range	-5 to +40°C