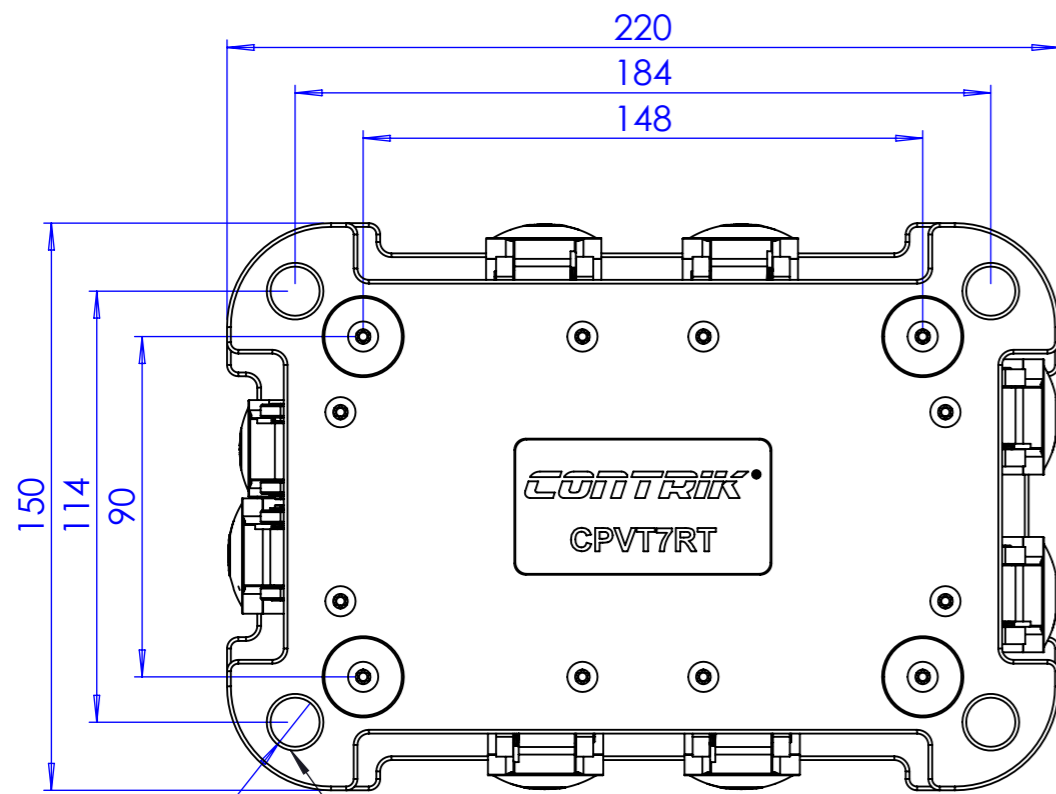
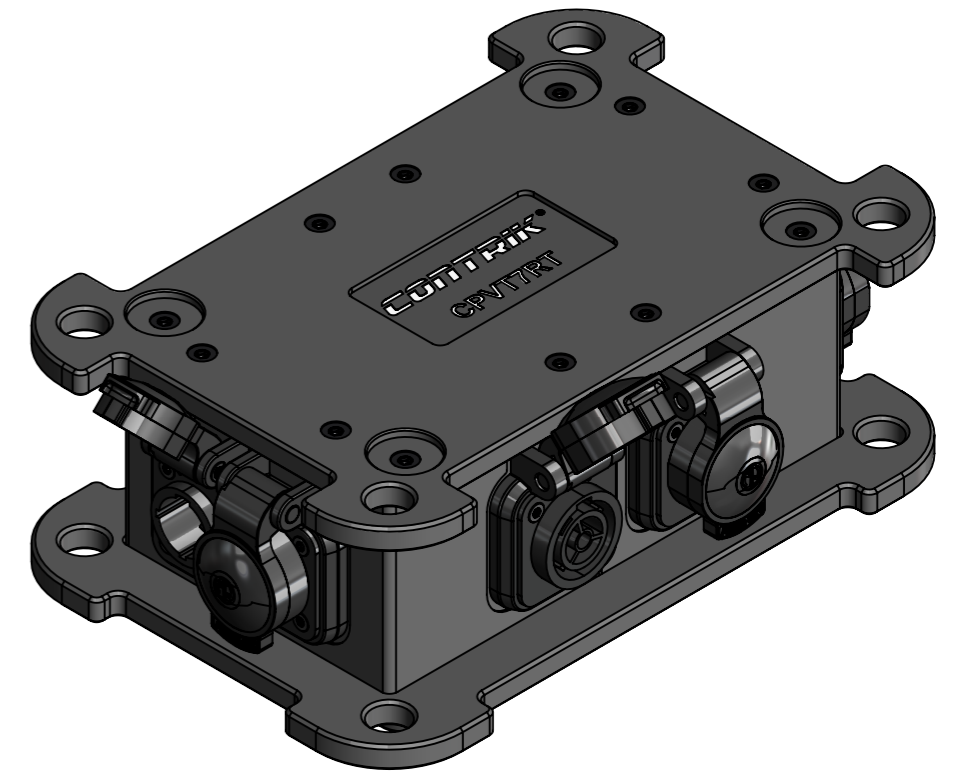


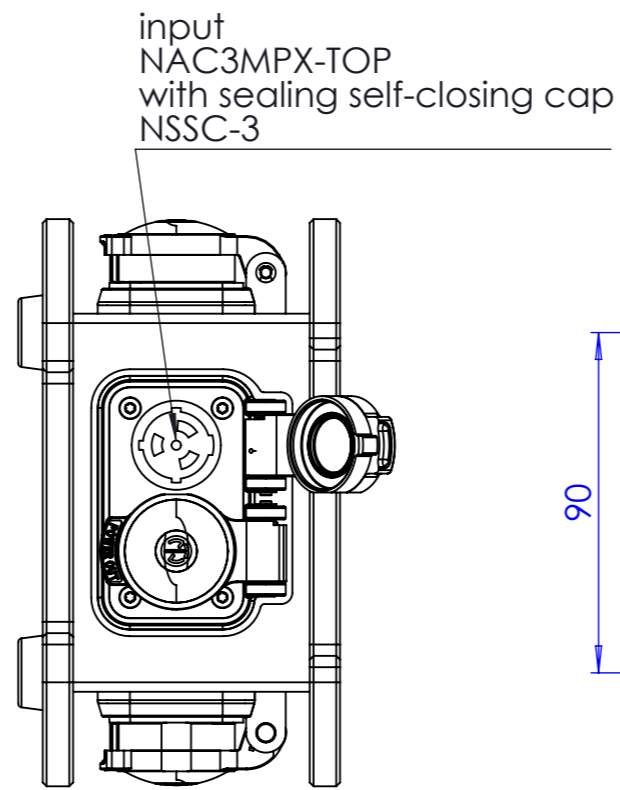
Easylen® enclosure
IP65

output
7x NAC3FPX-TOP
with sealing self-closing cap NSSC-2



8x Ø13

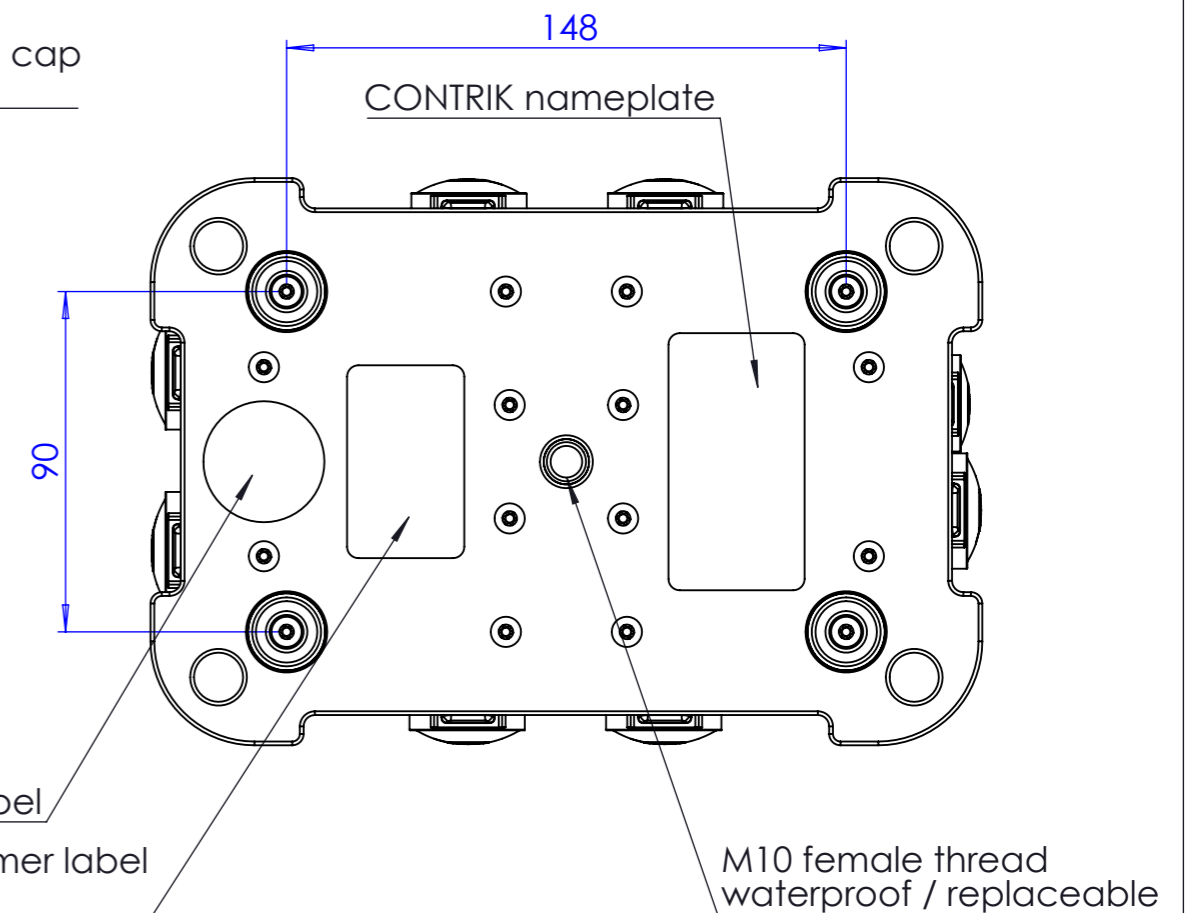
each 4x safety holes
at the top and at the bottom



input
NAC3MPX-TOP
with sealing self-closing cap
NSSC-3

inspection label

space for customer label
50mm x 30mm



| | | | | |
|--|-------------------------|------------------------|---------------------|--------------------------|
| Sheet Number 1/1 | Projection | Scale 1:2 | Format A3 | Tolerancing ISO 2768- |
| g | cm ² | 927.31 cm ³ | Created HeBo | 20.05.2021 |
| Material | | | Modified | |
| Material addition | | | Approved DiRo | 21.05.2021 |
| Description CPVT7RT 7xPC T1 pC T1 in IP65 pT | | | ECN Number | |
| | | | Status FOR FINAL | |
| | 3D Model ID 41027451 | Document ID 1027451 | Revision 01 | |