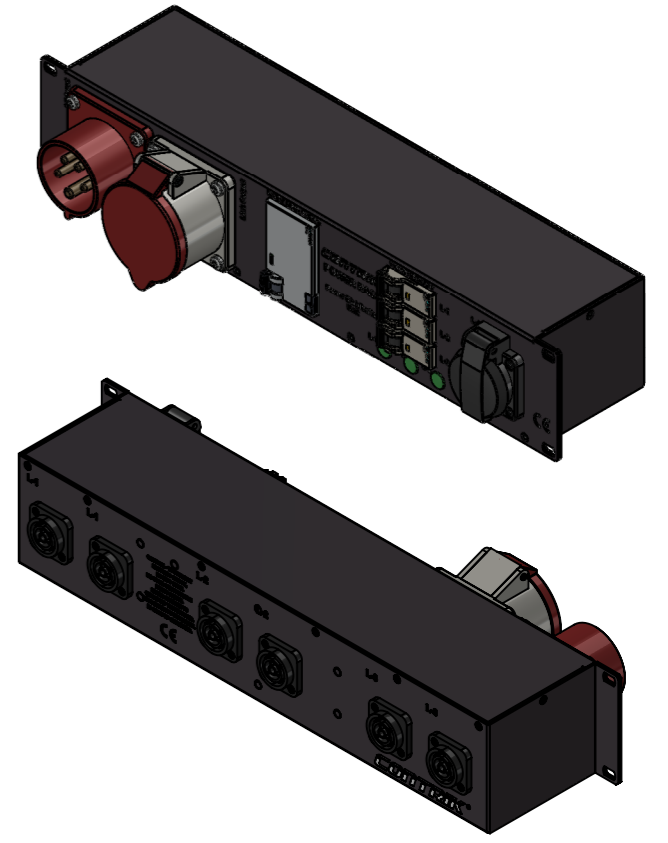
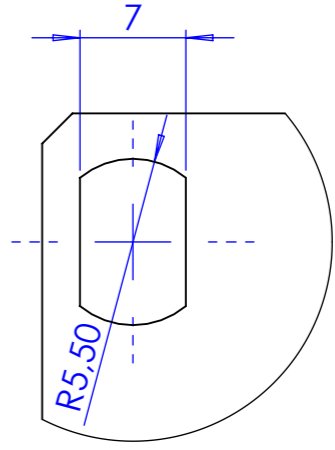


DETAIL Z
MABSTAB 2:1



Sheet Number	Projection	Scale	Format	Tolerancing	
1/1		1:2	A3	ISO 2768-	
	g		cm ²		cm ³
Material		Created	Modified	HeBo	28.09.2022
Material addition		Approved	DiRo		28.09.2022
Description	CPR16-C2-T6F1-CB			ECN Number	
	CEE16A Link, 6x PCT1, 1x Schuko, FI 0,03			Status	FOR FINAL
	3D Model ID	Document ID	Revision		
	41028799	1028799	01		