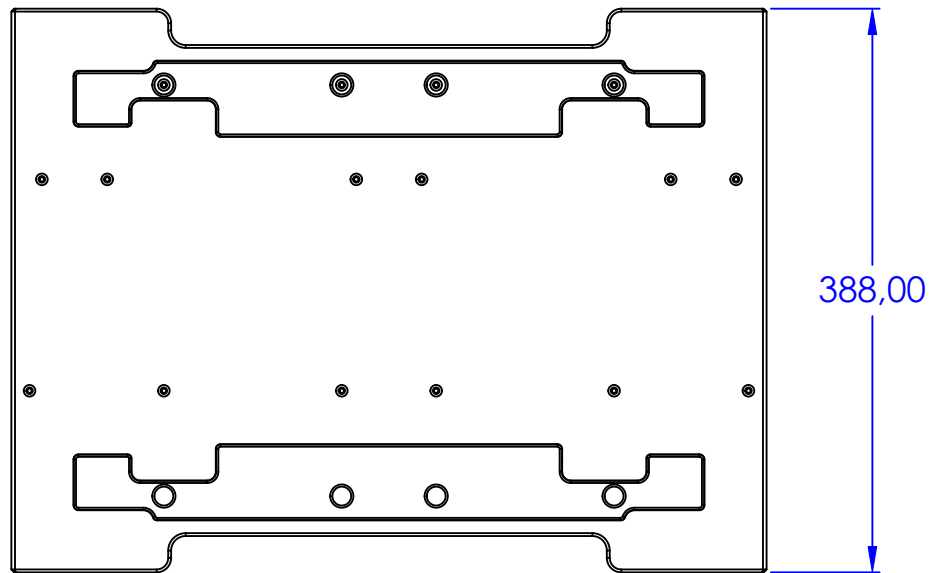
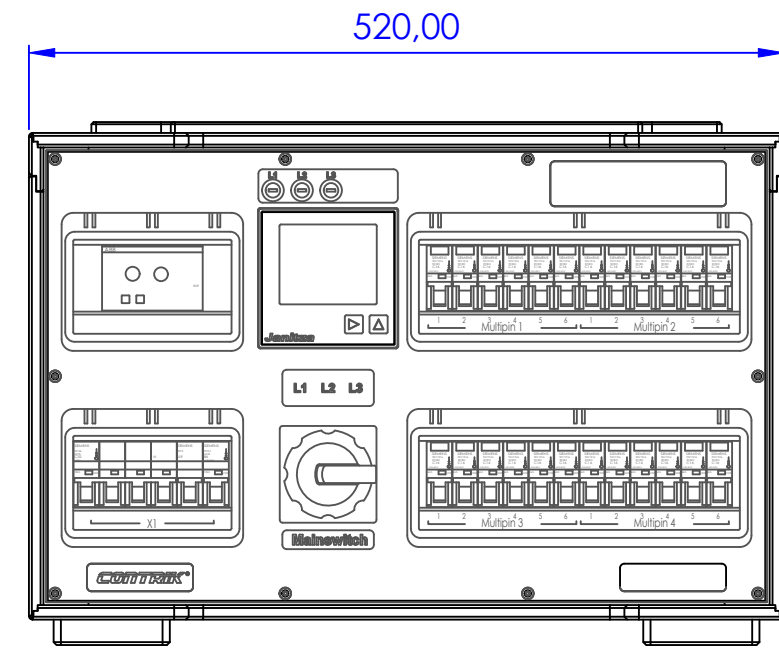
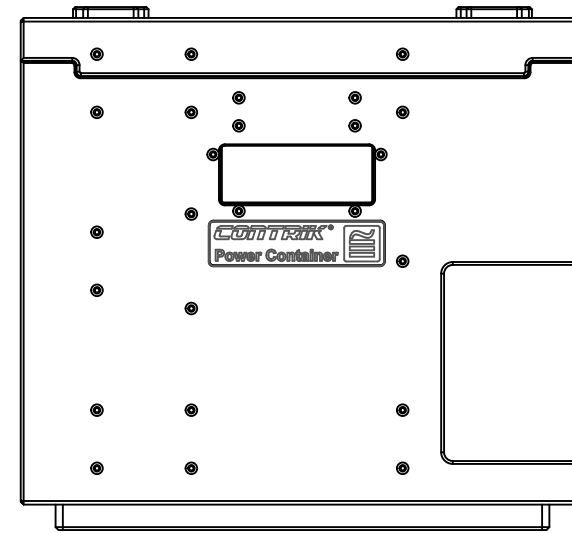
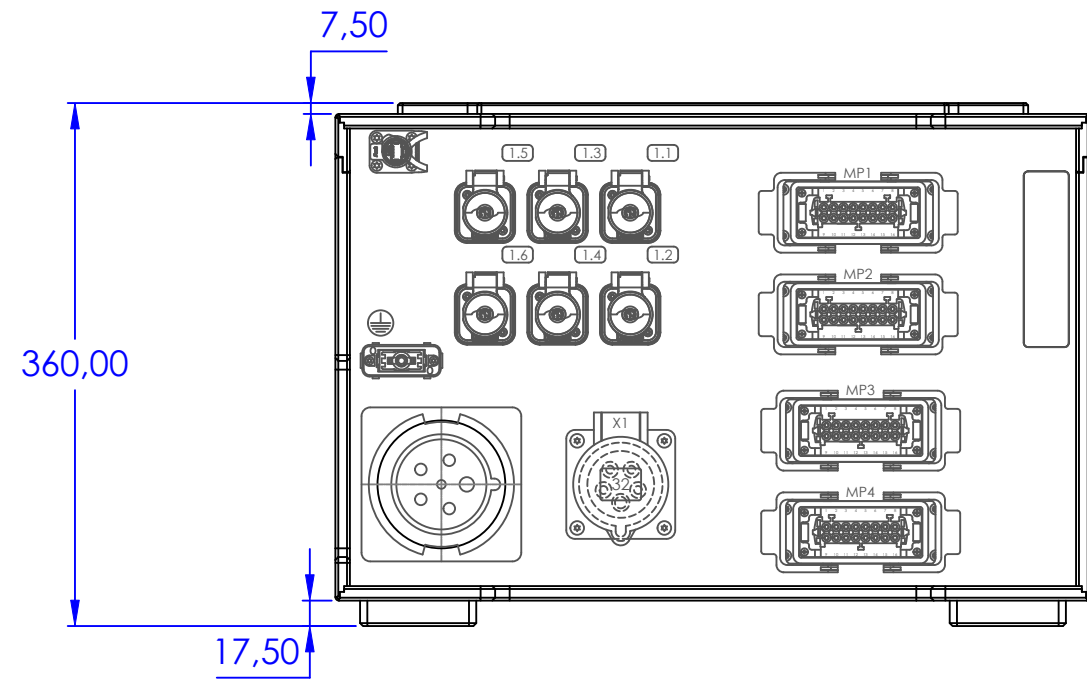


MABSTAB 1 : 10



Sheet Number	Projection	Scale	Format	Tolerancing	
1/1		1:5	A3	ISO 2768-	
			Created	KaSt	16.09.2024
Material			Modified		
Material addition			Approved	HeBo	16.09.2024
Description			ECN Number		
CPCL63-C1-H4C1T6-ROM					
1xCEE32 4xH16E6 6xPCT1 Mess4E MS			Status	FOR FINAL	
		3D Model ID	Document ID	Revision	
		41038607	1038607	01	