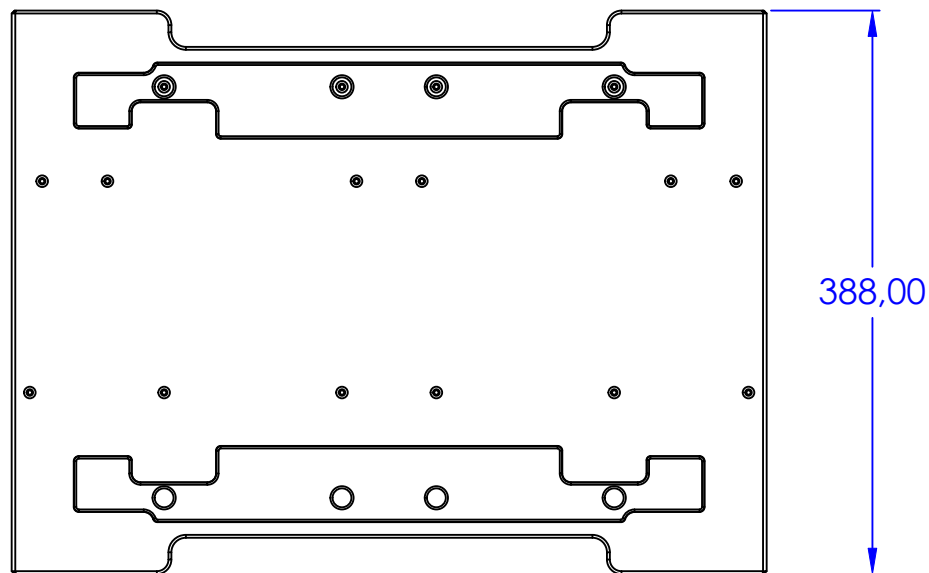
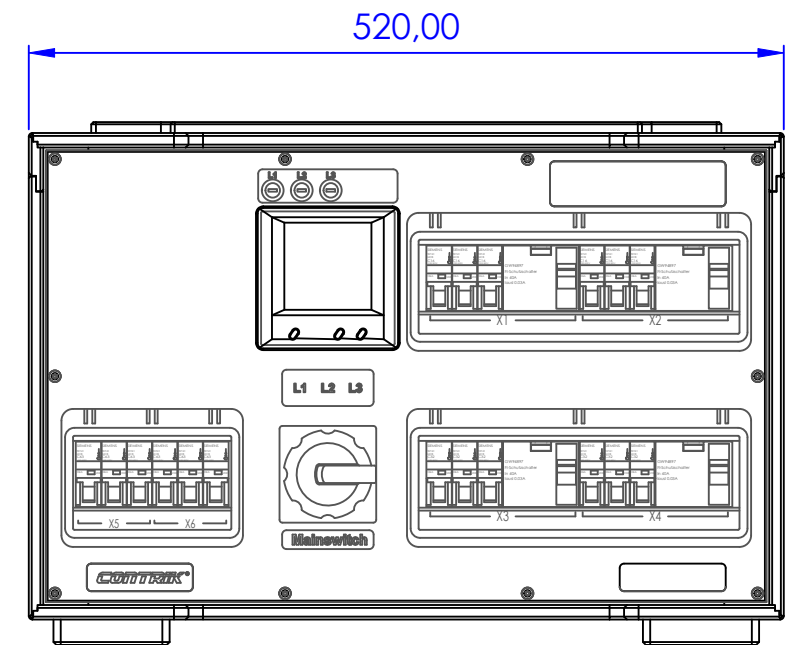
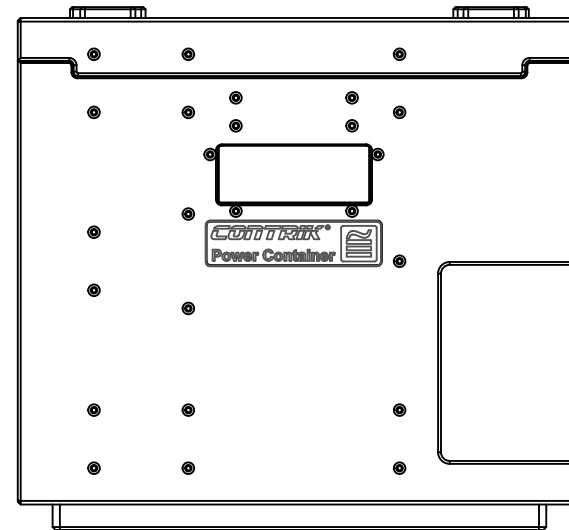
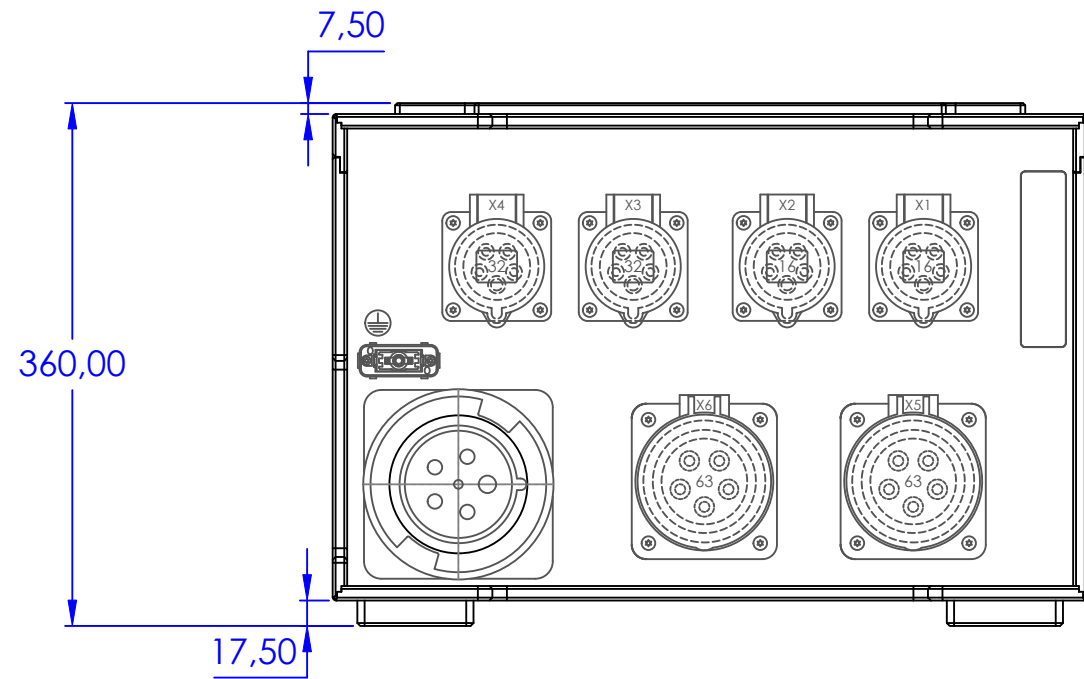
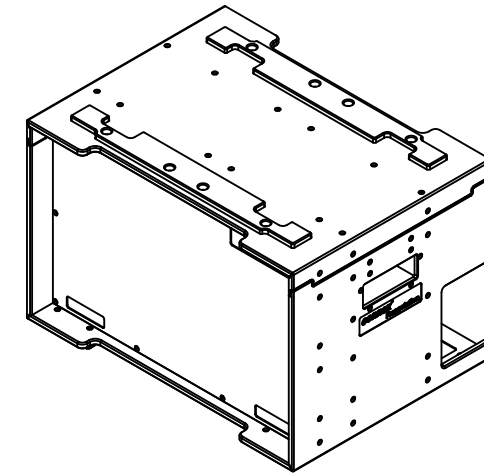


MABSTAB 1 : 10



|                   |  |             |            |             |            |
|-------------------|--|-------------|------------|-------------|------------|
| Sheet Number      | Projection   | Scale       | Format     | Tolerancing |            |
| 1/1               |  | 1:5         | A3         | ISO 2768-   |            |
|                   |  |             | Created    | KaSt        | 16.09.2024 |
| Material          |  |             | Modified   |             |            |
| Material addition |  |             | Approved   | HeBo        | 16.09.2024 |
| Description       | CPCL125-C1-C6-RBM<br>2xCEE63 2xCÈE32 2xCEE16 Mess MS |             | ECN Number |             |            |
|                   |  |             | Status     | FOR FINAL   |            |
|                   | 3D Model ID  | Document ID | Revision   |             |            |
|                   | 41038606   | 1038606     | 01         |             |            |